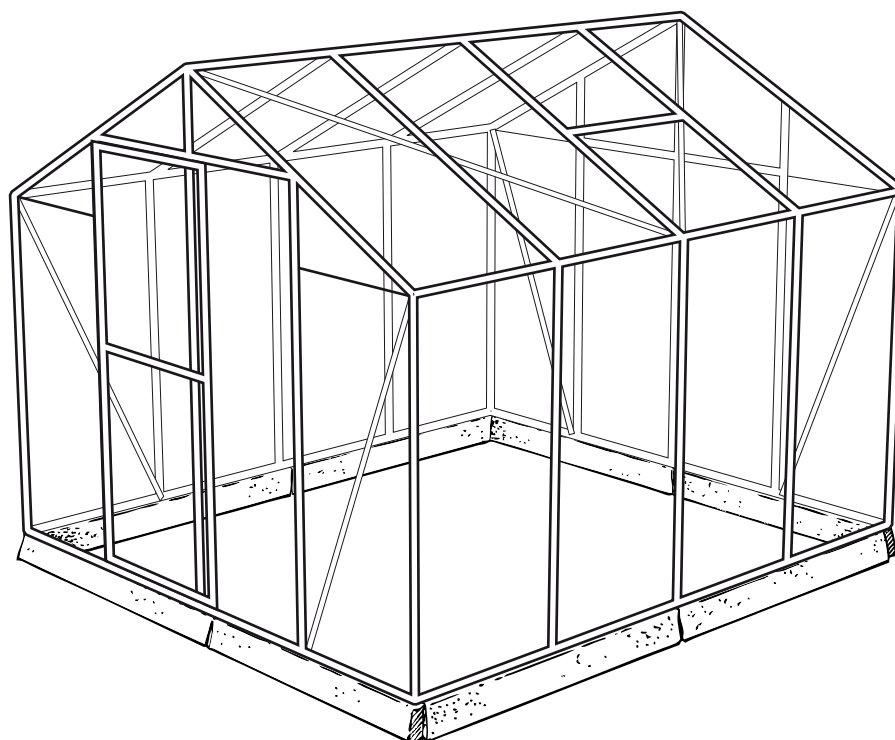
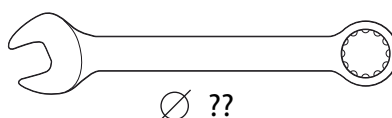
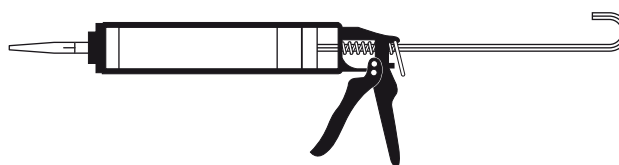
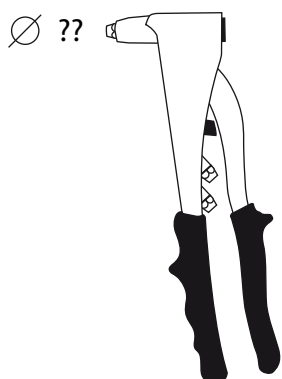
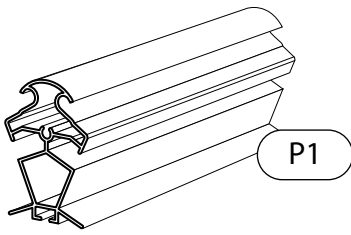


# Serraflex 3.00 x 2.70

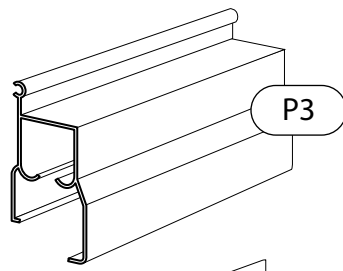


**NOT INCLUDED**

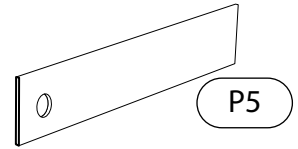




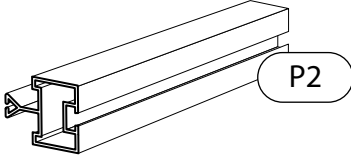
P1



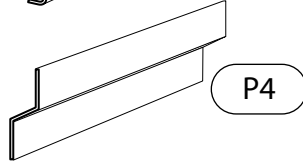
P3



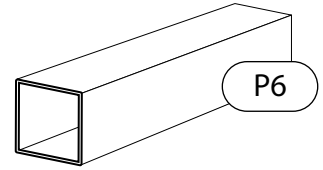
P5



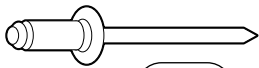
P2



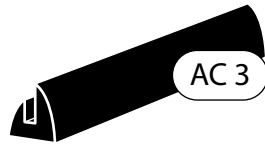
P4



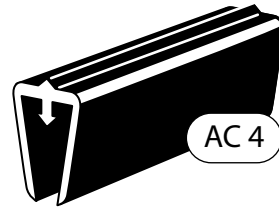
P6



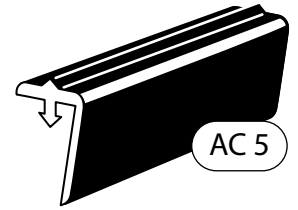
AC 1



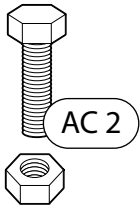
AC 3



AC 4



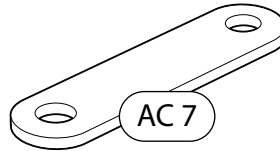
AC 5



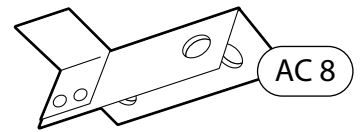
AC 2



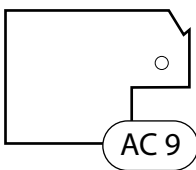
AC 6



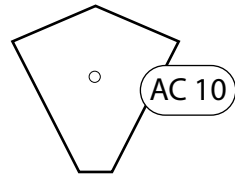
AC 7



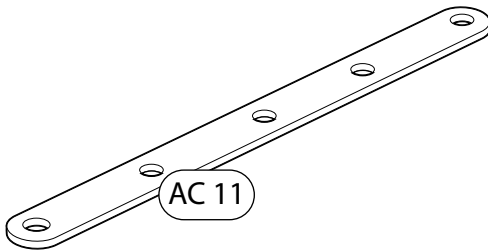
AC 8



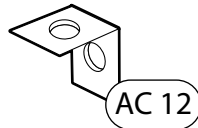
AC 9



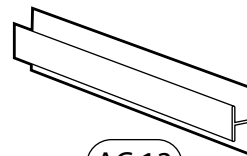
AC 10



AC 11



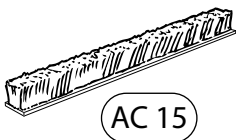
AC 12



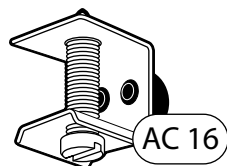
AC 13



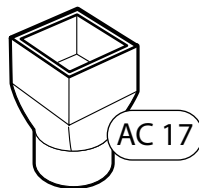
AC 14



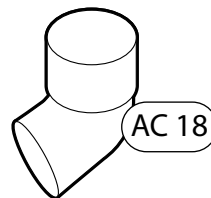
AC 15



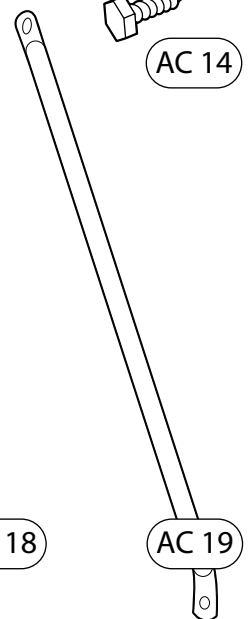
AC 16



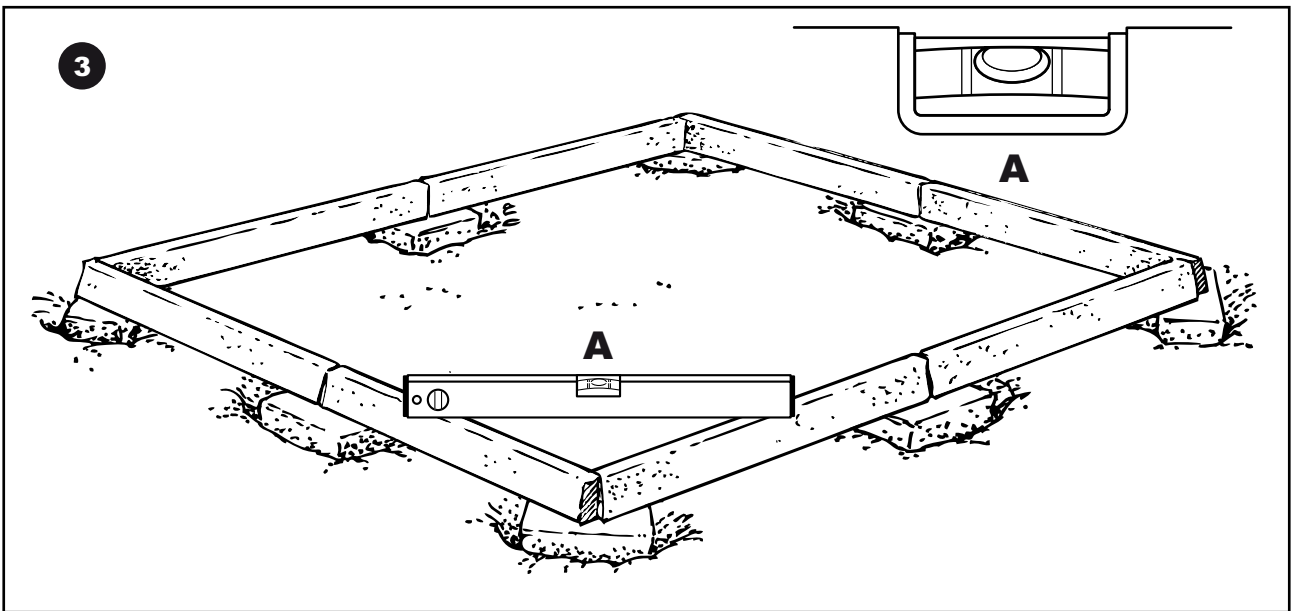
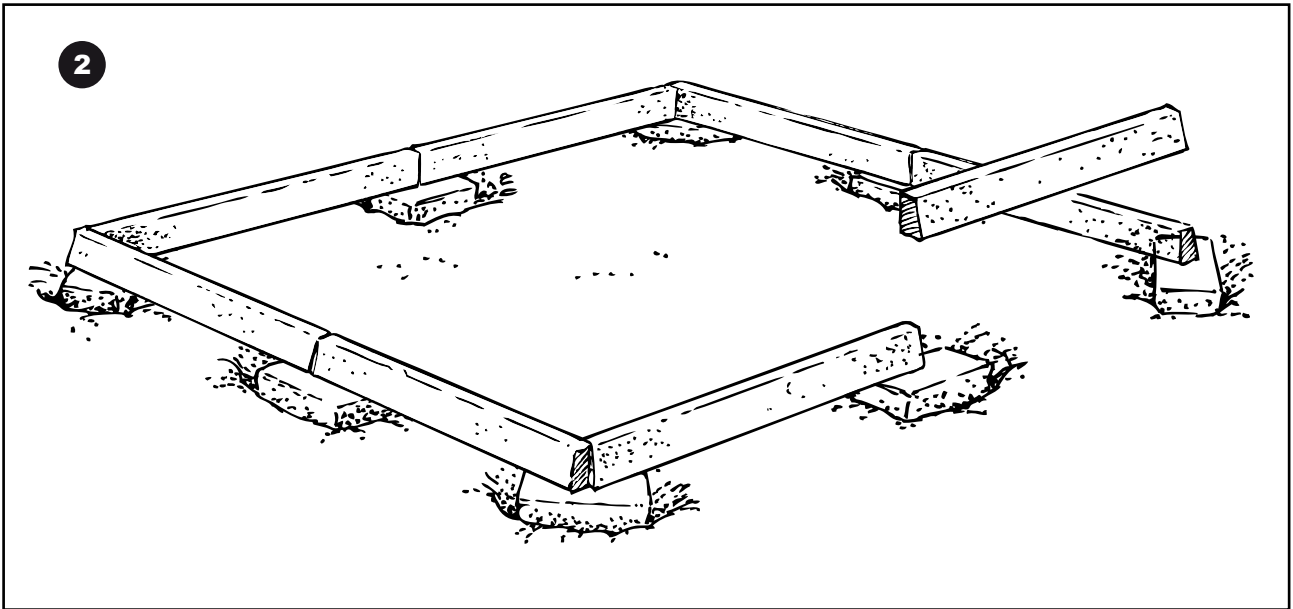
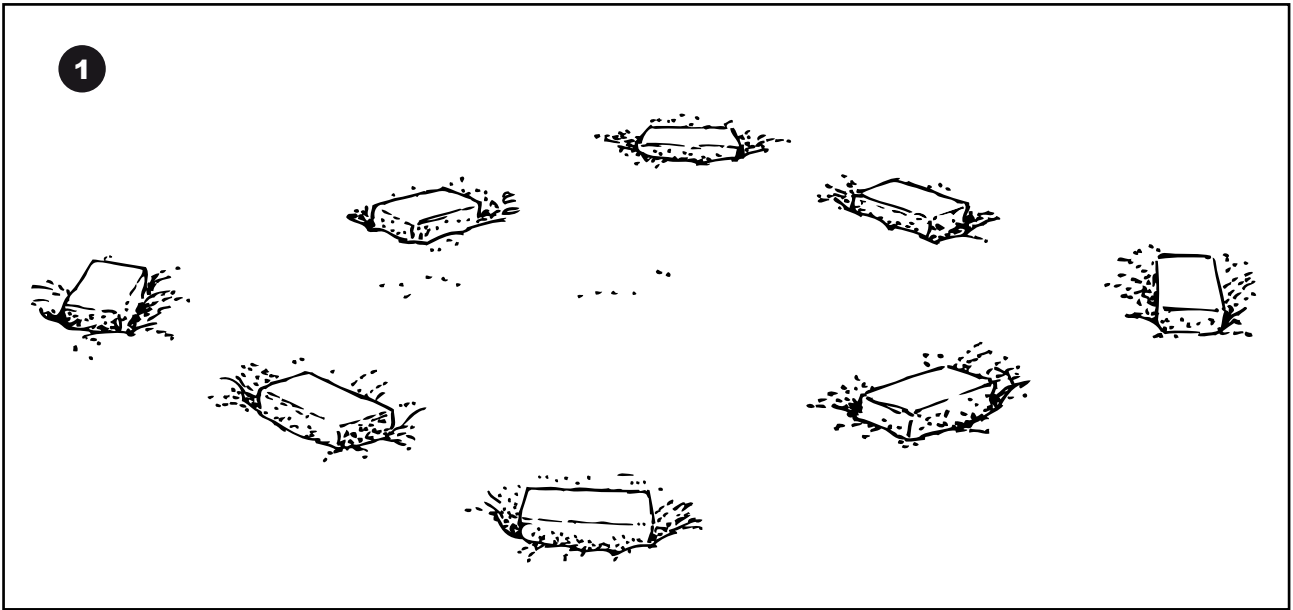
AC 17

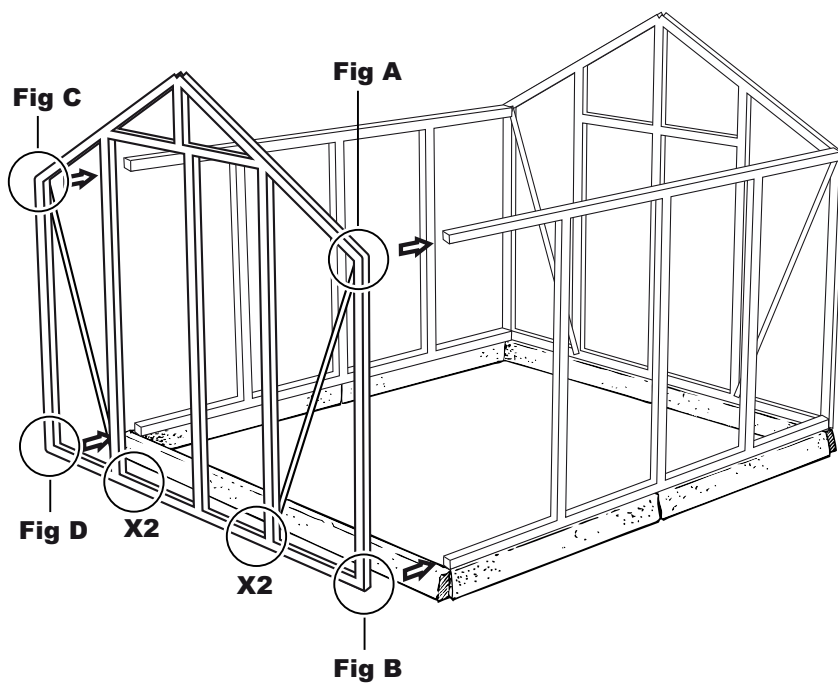
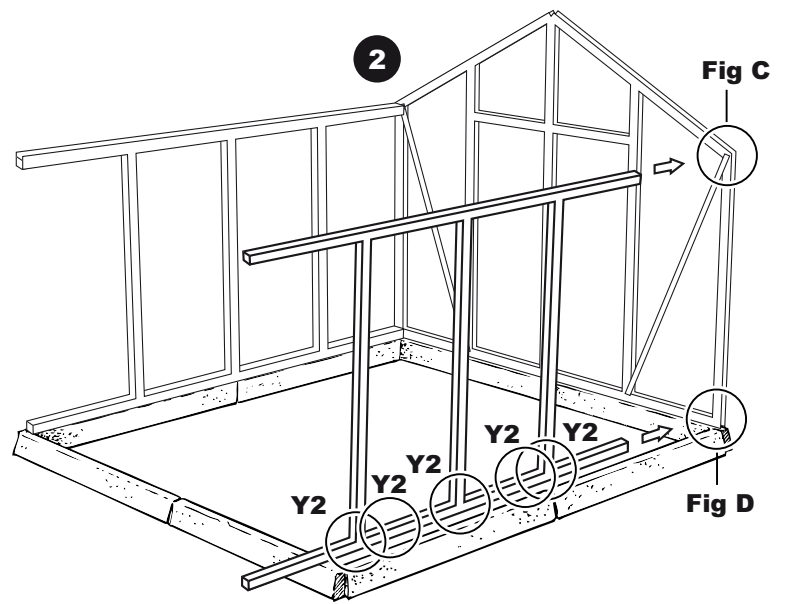
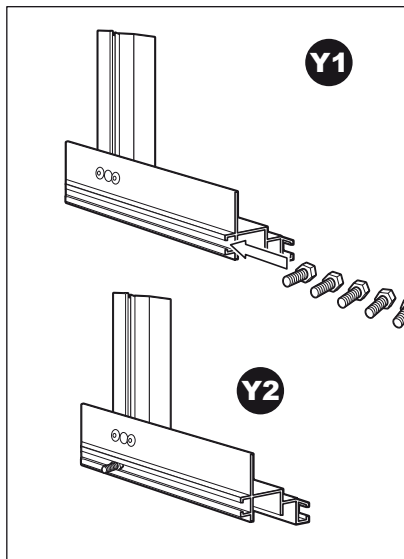
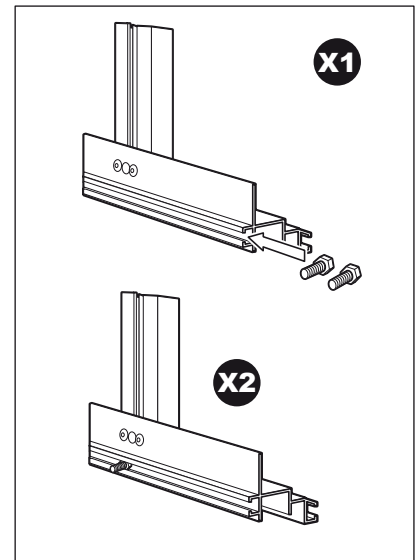
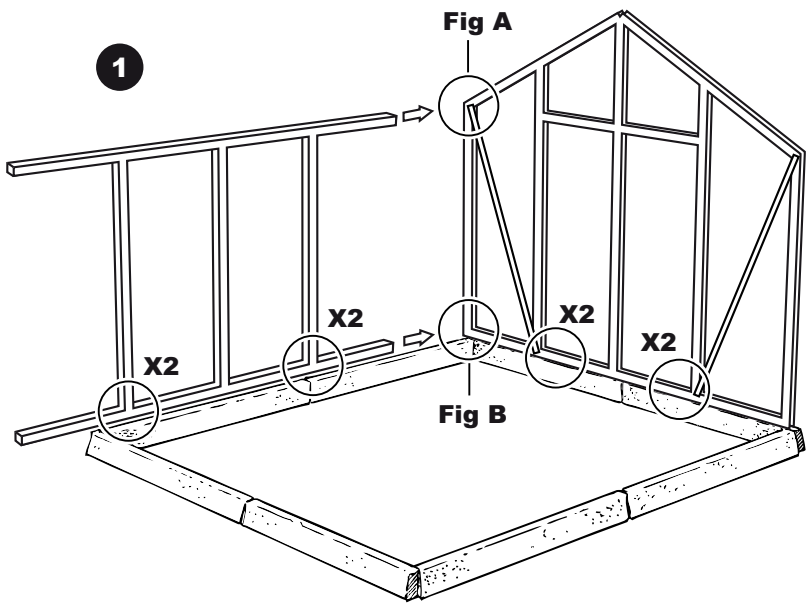


AC 18

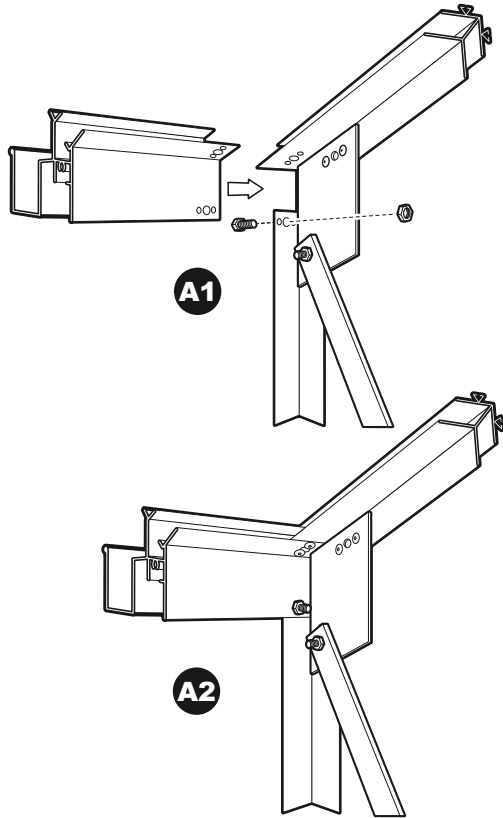


AC 19

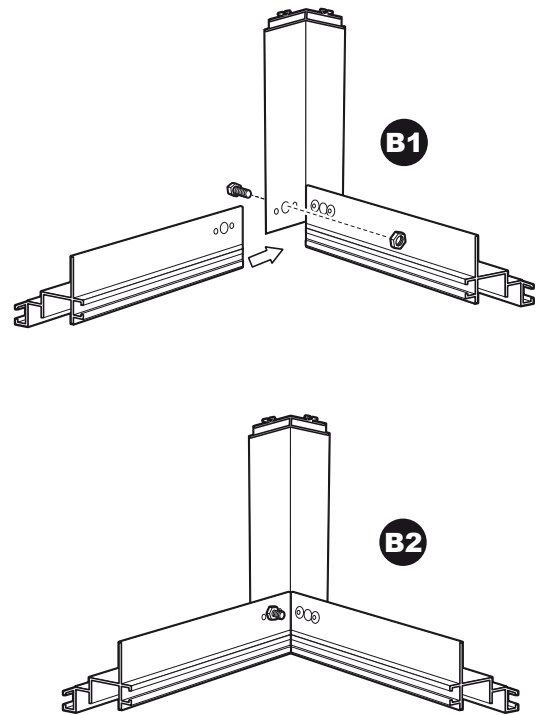




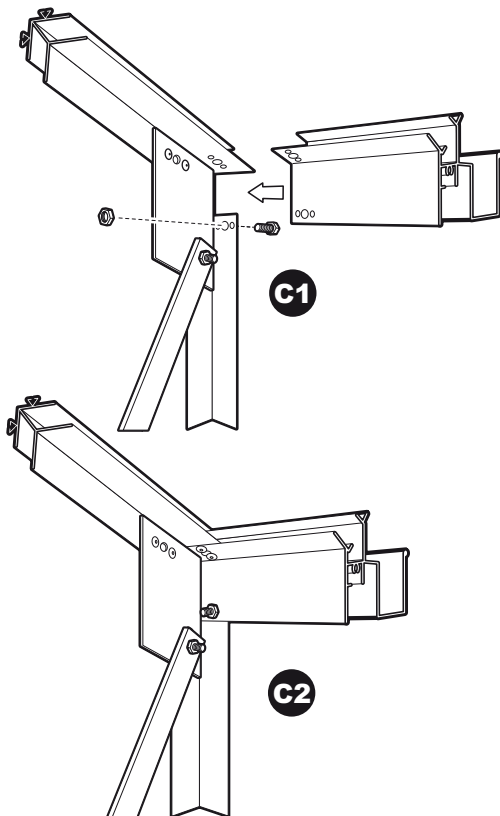
**Fig A**



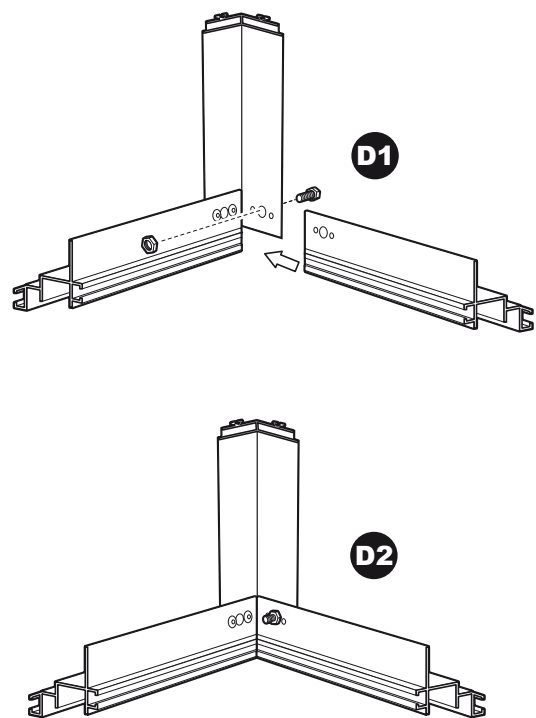
**Fig B**

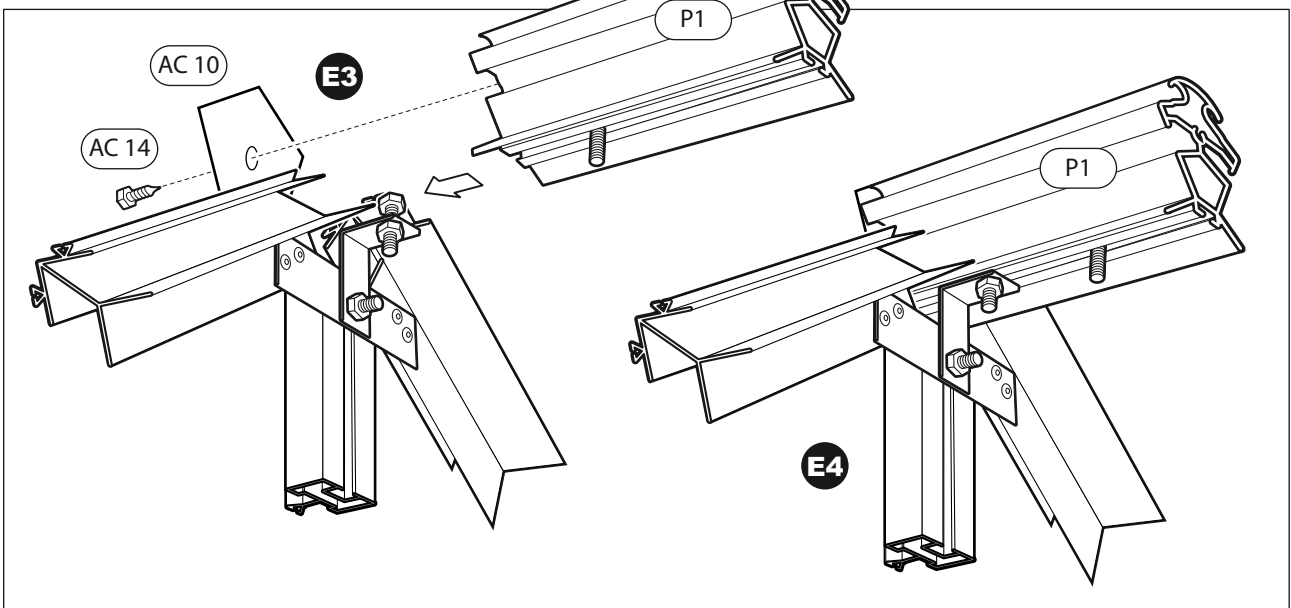
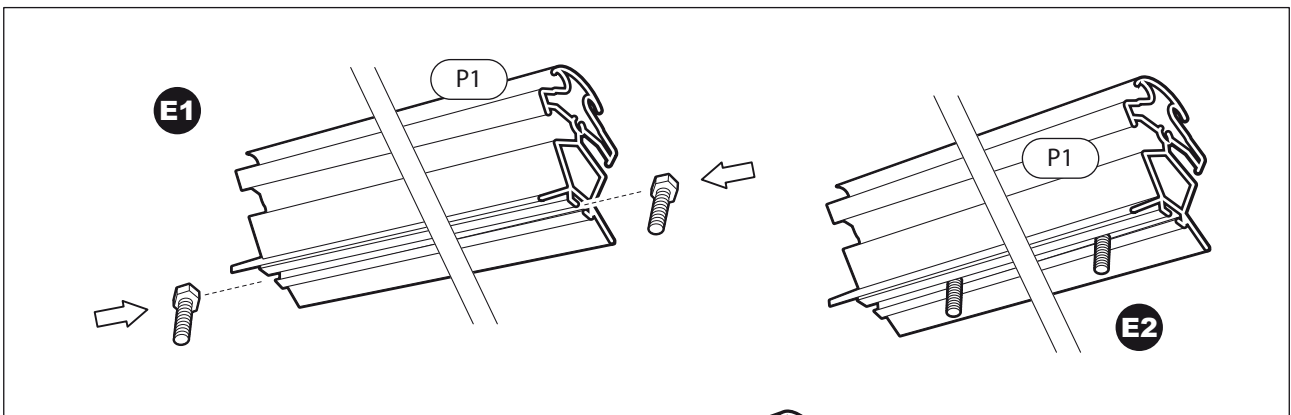
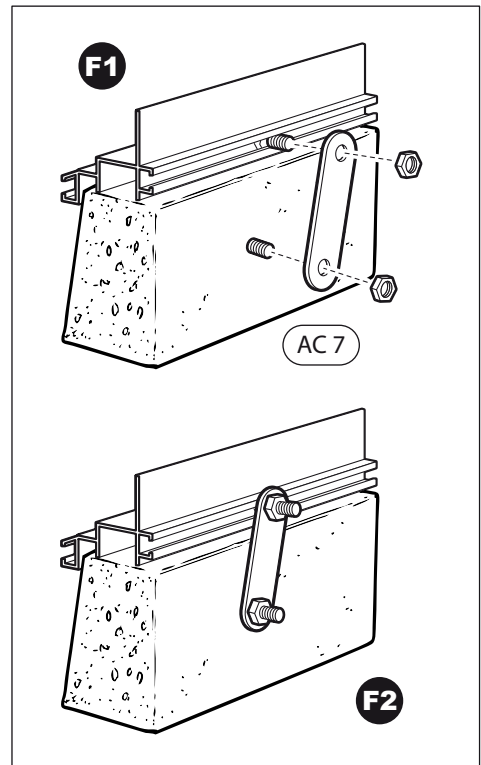
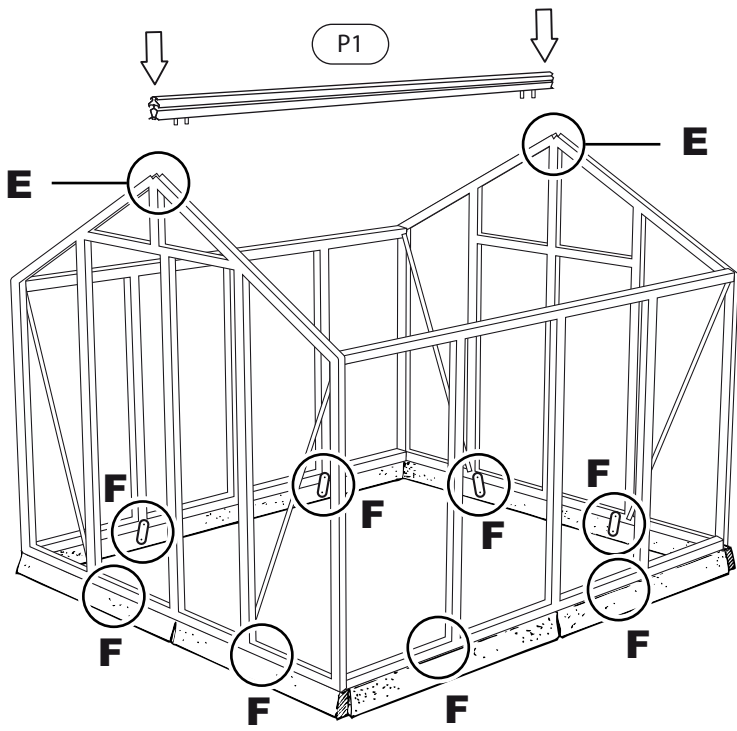


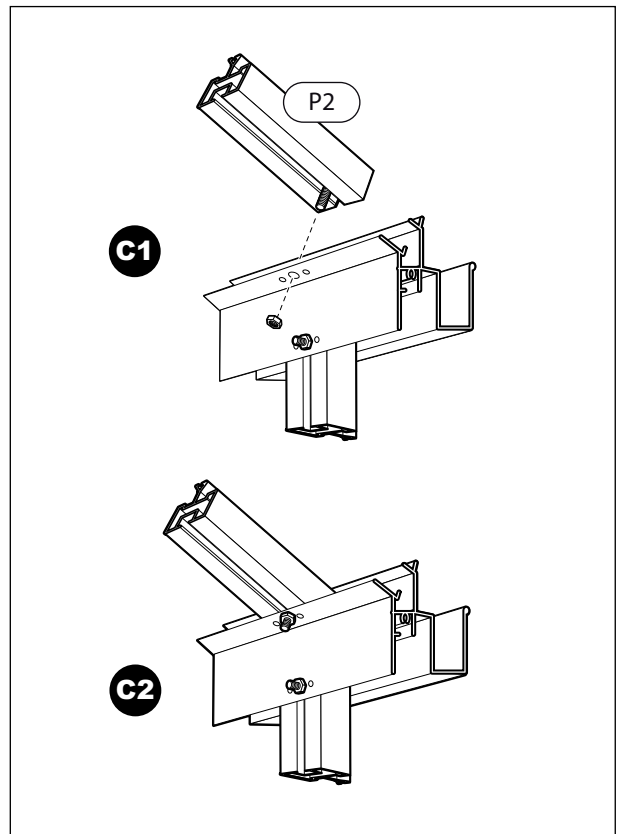
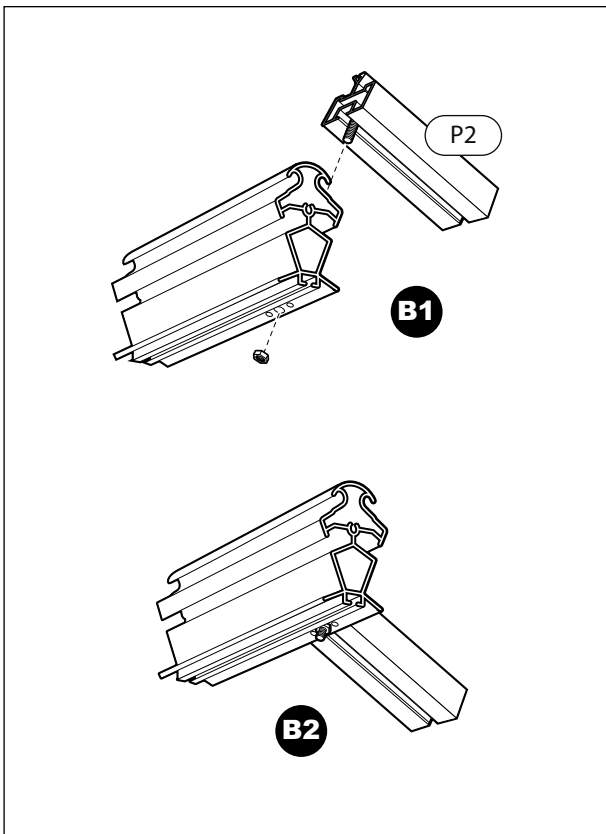
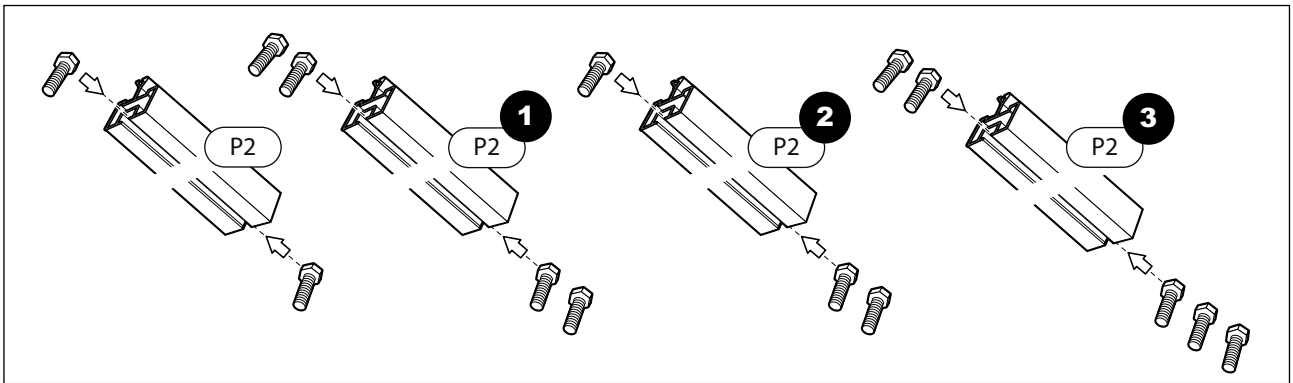
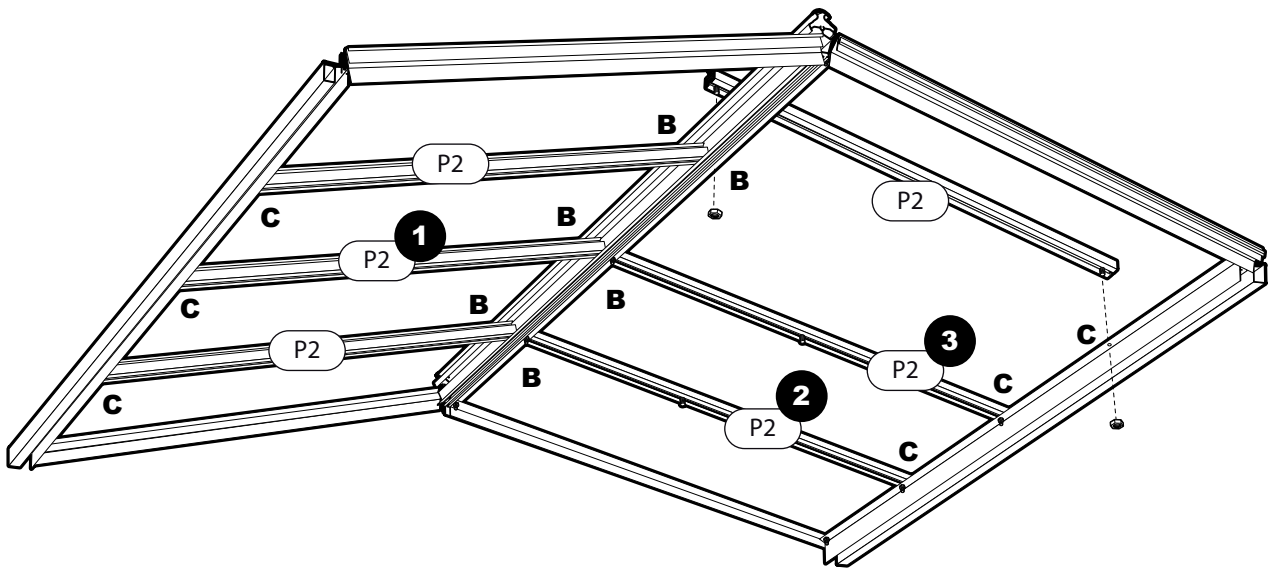
**Fig C**

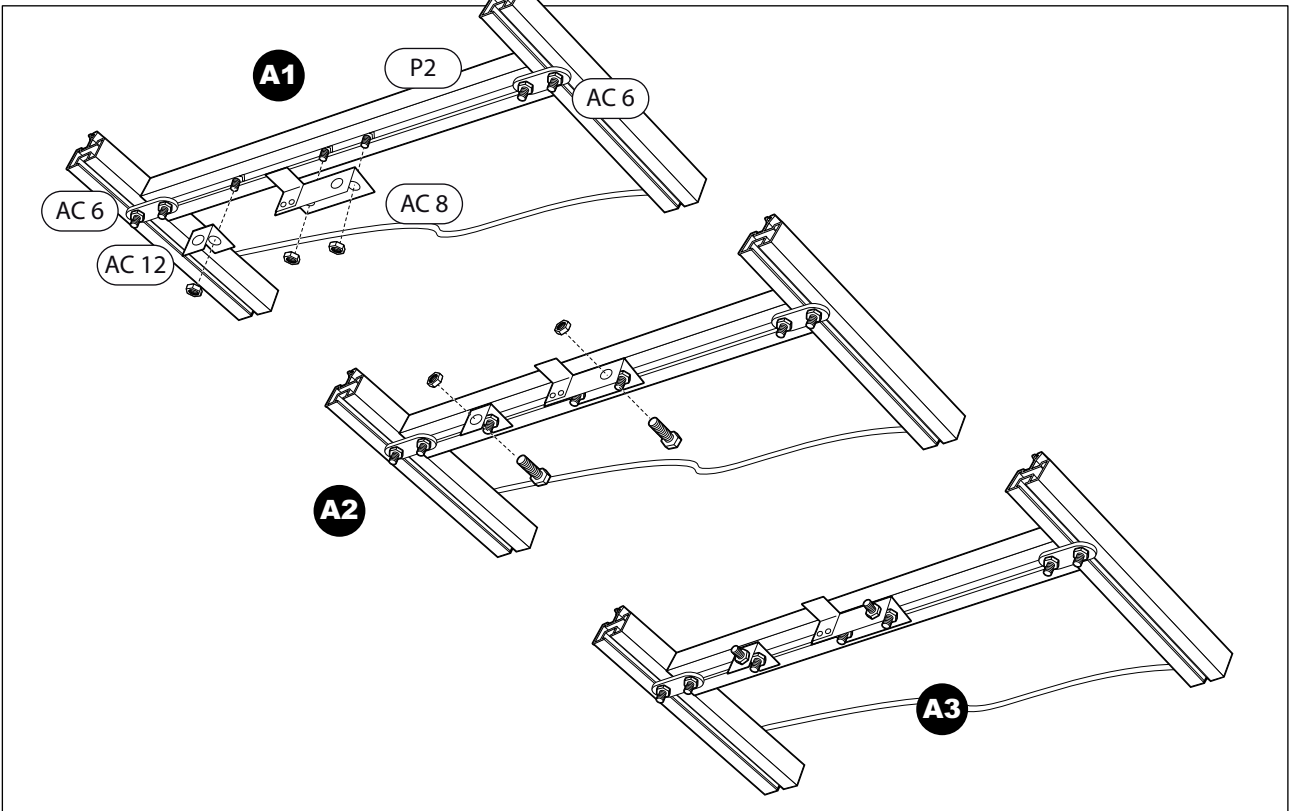
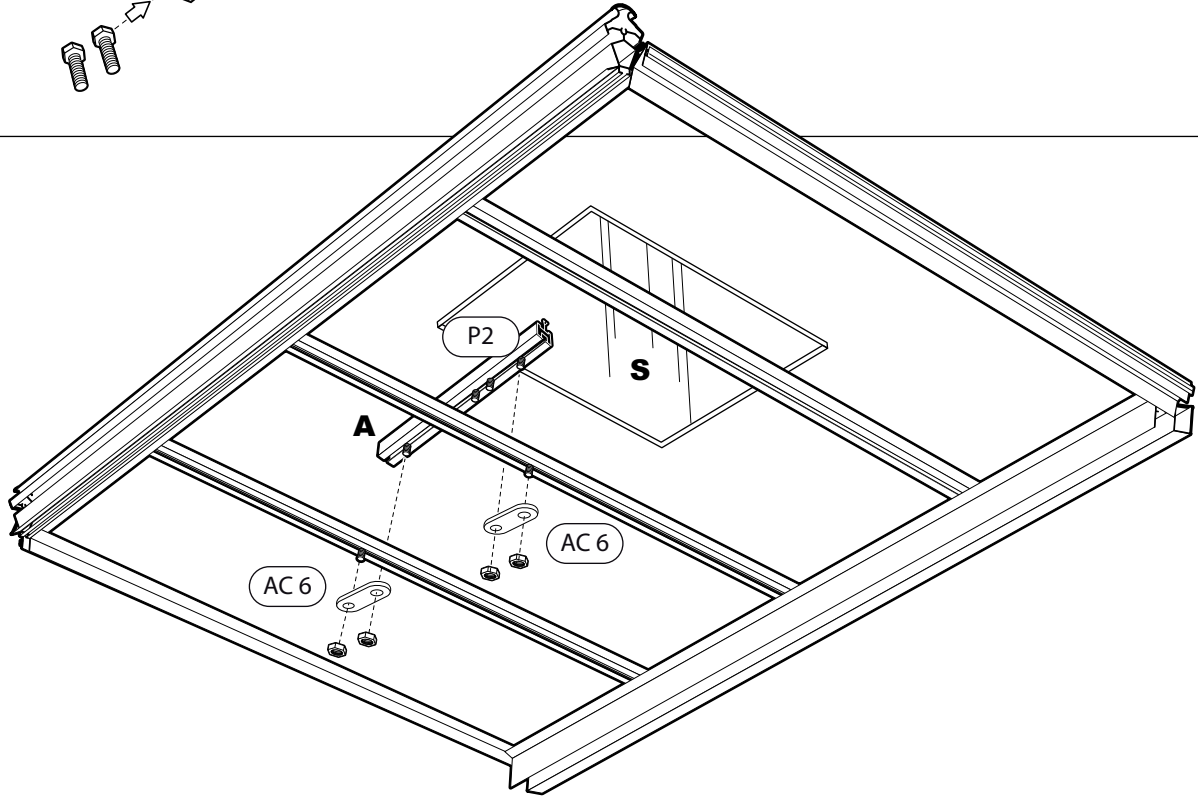
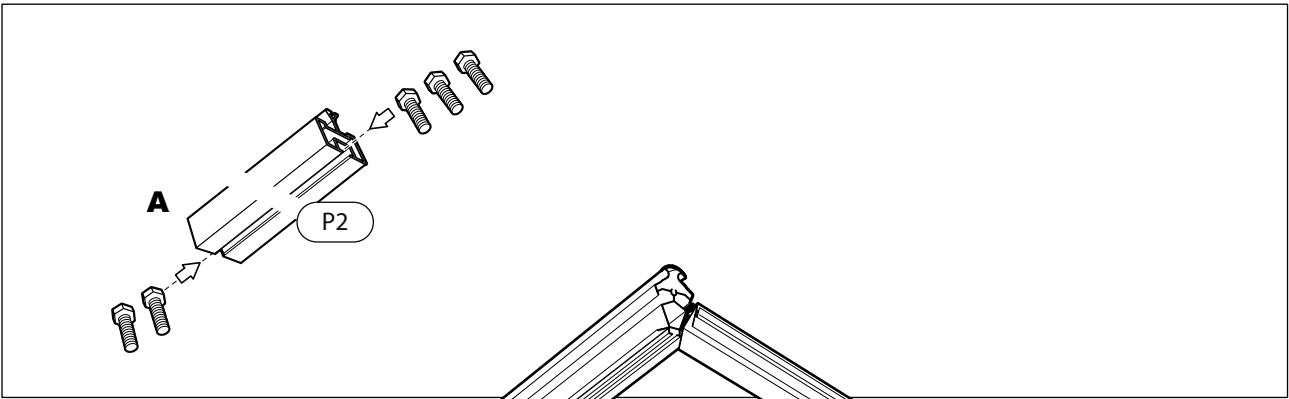


**Fig D**

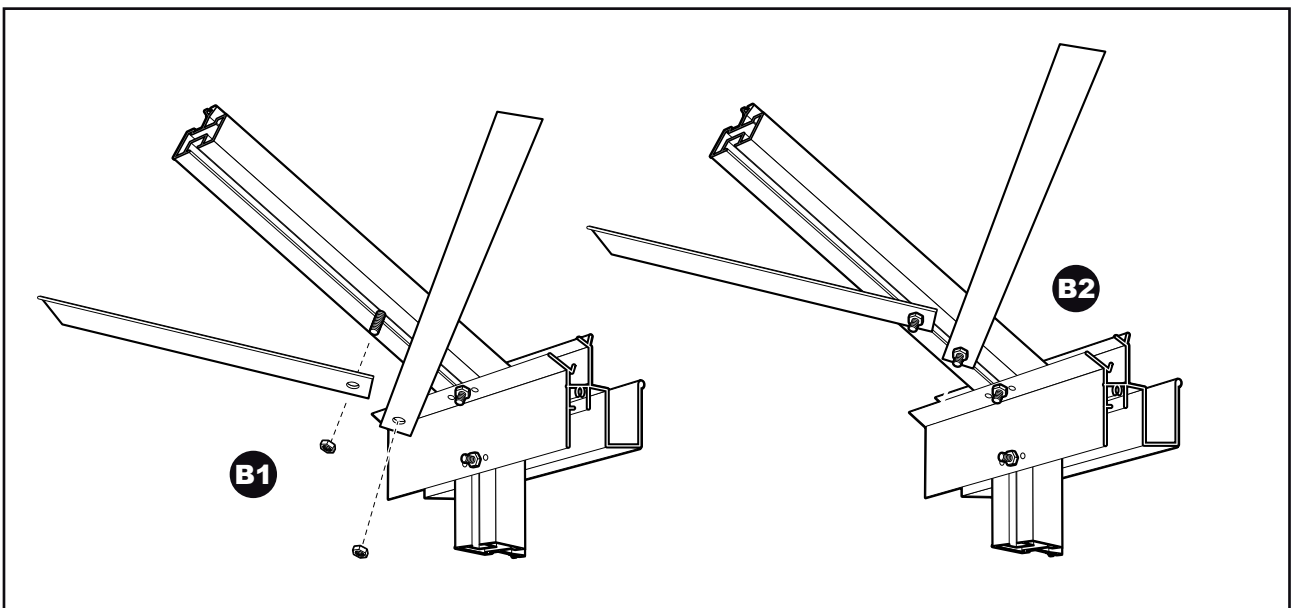
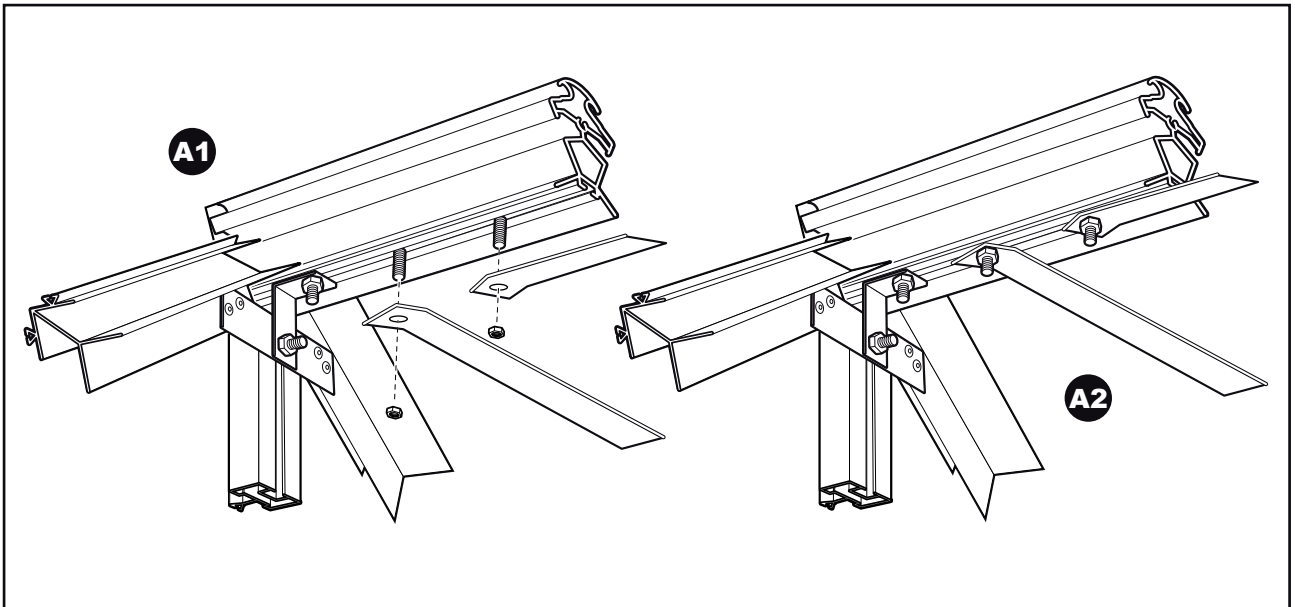
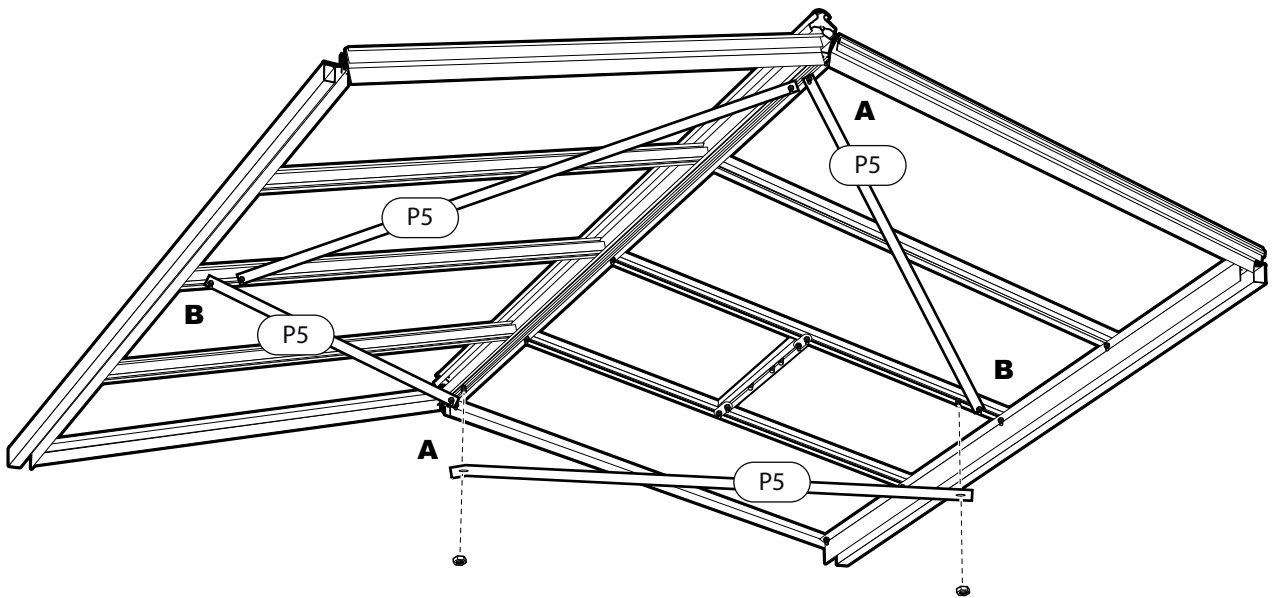


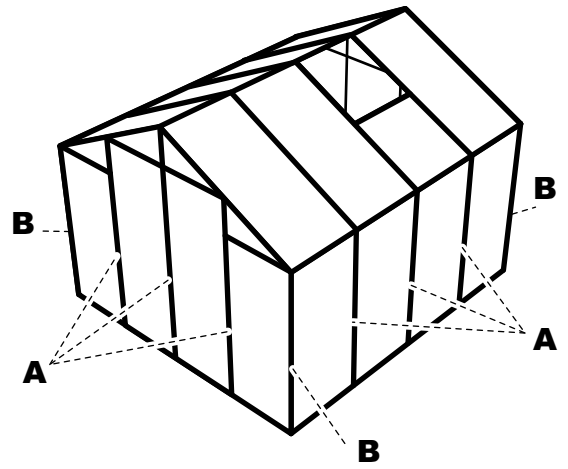
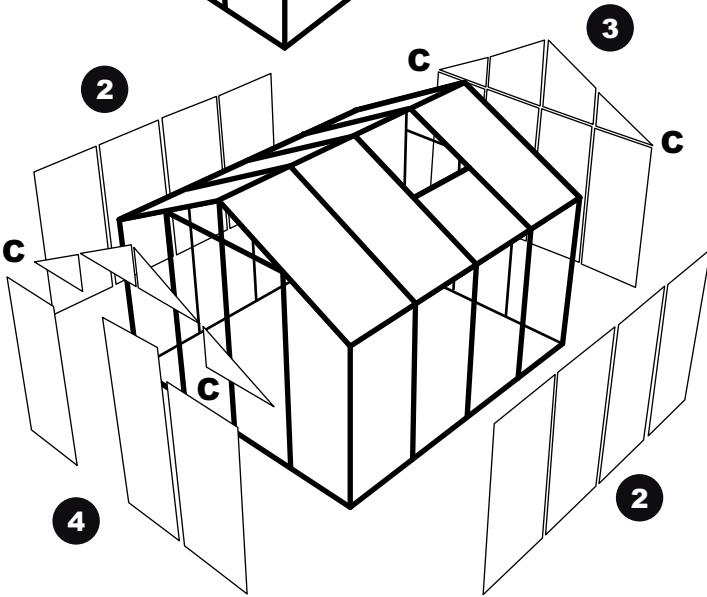
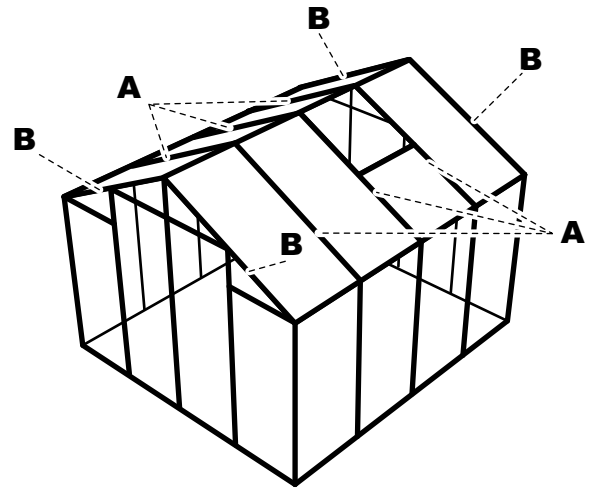
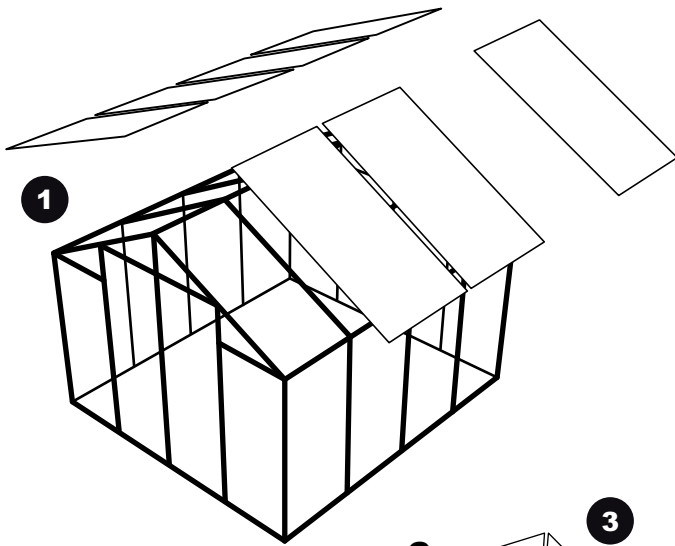












R	R	R	R
1	R	N	R
	R	S	R

2			
K	K	K	K

3			
O	P	P	O
K	K	K	K

4			
O	O	O	O
K	L	M	K
K	L	M	K

